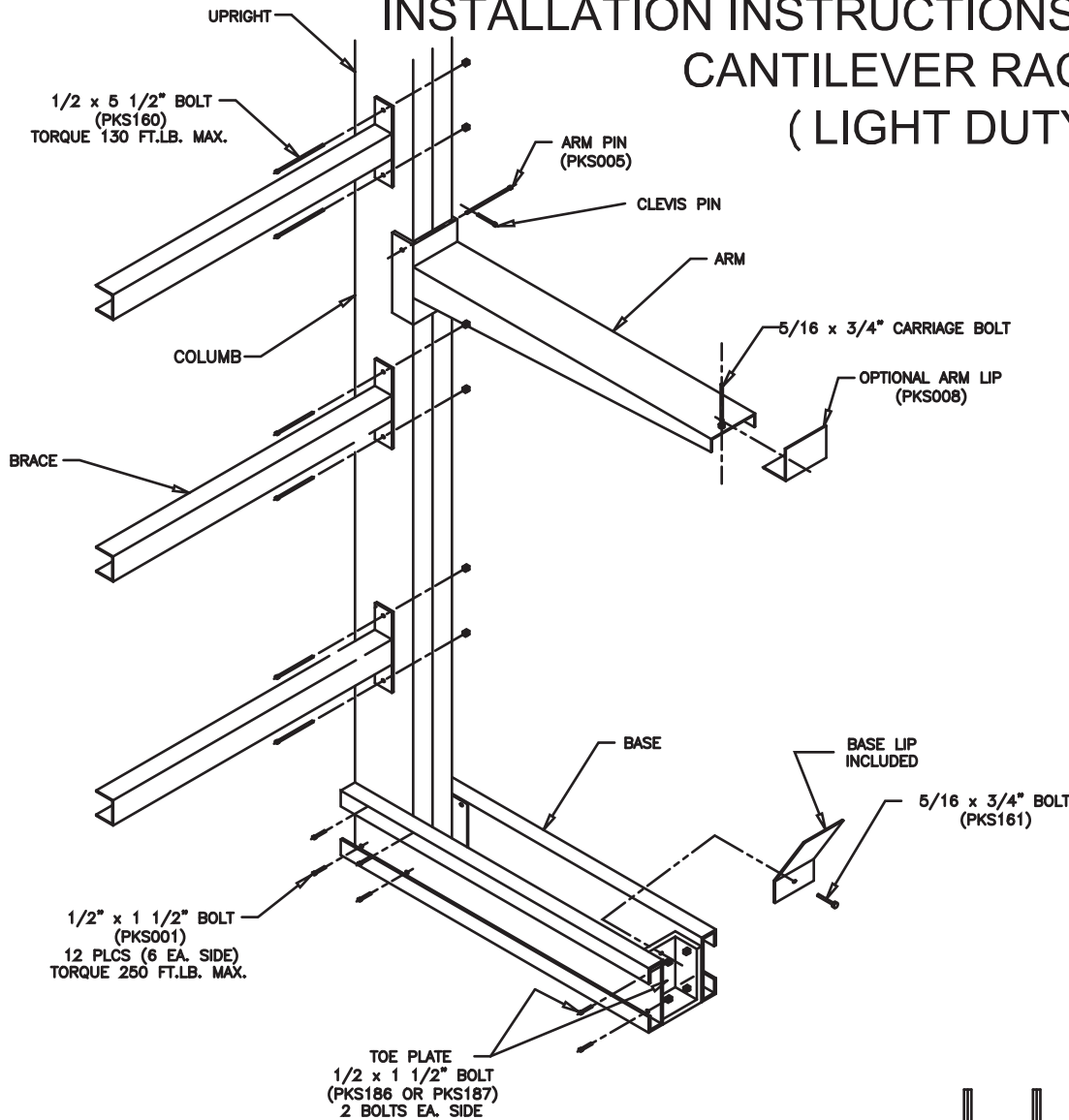
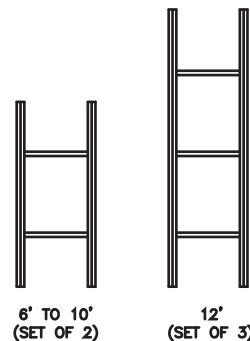


INSTALLATION INSTRUCTIONS FOR 6' THRU 12' CANTILEVER RACKS (LIGHT DUTY)



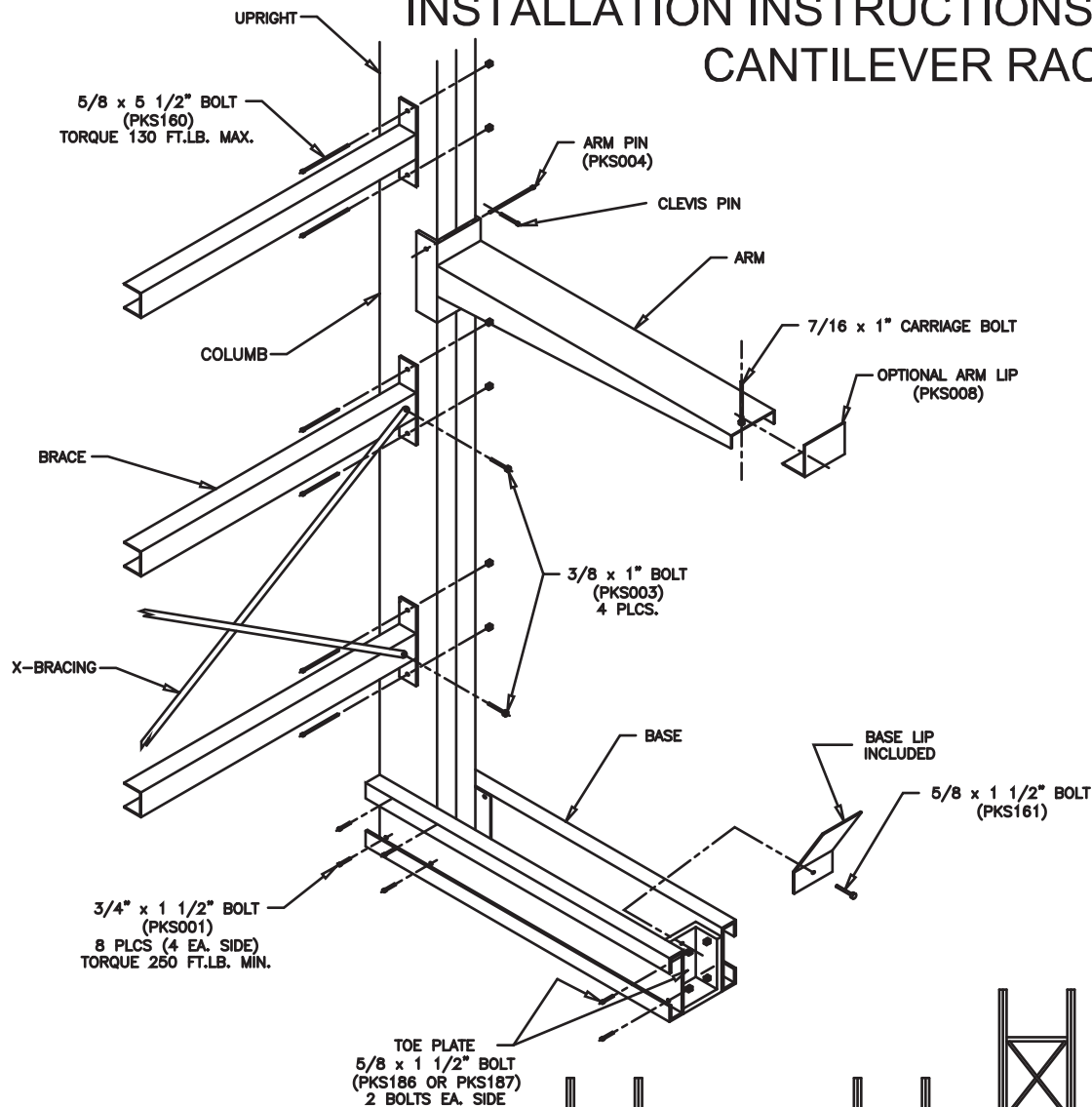
ASSEMBLY SEQUENCE

1. LOCATE BASE IN DESIRED POSITION AND INSTALL UPRIGHT IN BASE. ATTACH UPRIGHT TO BASE WITH TWELVE (12) OF THE SUPPLIED 1/2" x 1 1/4" BOLTS (PKS001). NEXT, INSTALL 1/2" HEX NUTS, BUT DO NOT FULLY TIGHTEN AT THIS POINT. INSTALL TOE PLATES WITH 1/2" x 1 1/2" BOLT (PKS186 SINGLE OR PKS187 DOUBLE).
2. REPEAT STEP #1 FOR NEXT UPRIGHT AND BASE COMBINATION. AT THIS POINT, THE TWO UPRIGHTS SHOULD BE JOINED WITH HORIZONTAL BRACES. USE 1/2" x 5 1/2" BOLTS (PKS160) TO ATTACH A BRACE AT EACH PAIR OF HOLES ALONG THE CENTER LINE OF THE UPRIGHT. TWO BRACES ARE REQUIRED WITH EACH PAIR OF 6', 7', 8' AND/OR 10' UPRIGHTS. THREE BRACES WITH 12' UPRIGHTS. LEAVE BOLTS "FINGER TIGHT" UNTIL STEP #5.
3. REPEAT THE ABOVE PROCEDURE FOR ANY ADDITIONAL UPRIGHTS IN THE SYSTEM.
4. AFTER UPRIGHTS ARE ERECTED, THE SYSTEM MUST BE MADE SQUARE AND PLUMB. AS SYSTEM IS "SQUARED", TIGHTEN 1/2" BOLTS TO MAXIMUM TORQUE OF 250 FT-LB. NEXT, TIGHTEN BOLTS OF BRACES. UPRIGHTS MUST BE VERTICAL WITHIN PLUS/MINUS 1/2 DEGREE TO ENSURE MAXIMUM CAPACITY.
5. PLACE EACH ARM AT DESIRED HEIGHT ON UPRIGHT AND ATTACH BY INSERTING 9/16" ARM PINS (PKS005) THROUGH THE HOLES PROVIDED. INSERT A CLEVIS PIN THROUGH EACH ARM PIN.
6. IF SYSTEM COMES WITH OPTIONAL LIPS, ATTACH EACH OF THEM WITH THEIR RESPECTIVE BOLTS INDICATED IN THE DRAWING (ARM-PKS008).
7. PLACE A COLUMN CAPACITY STICKER ON 1 BRACE FOR EVERY SET OF UPRIGHTS.



FOR LIGHT DUTY ONLY

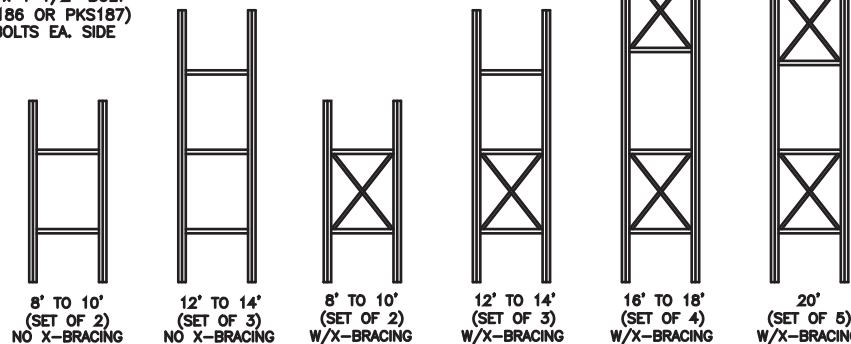
INSTALLATION INSTRUCTIONS FOR 8' THRU 20' CANTILEVER RACKS



FOR: INTERMEDIATE SERIES HEAVY DUTY (X) SERIES EXTRA HEAVY DUTY (XX) SERIES ASSEMBLY SEQUENCE

1. LOCATE BASE IN DESIRED POSITION AND INSTALL UPRIGHT IN BASE. ATTACH UPRIGHT TO BASE WITH EIGHT OF THE SUPPLIED 3/4" x 1 1/2" "STRUCTURAL" BOLTS (PKS001). NEXT, INSTALL 3/4" HEX NUTS, BUT DO NOT FULLY TIGHTEN AT THIS POINT. (BE SURE TO USE THE 3/4" "STRUCTURAL" NUTS & BOLTS. THEY ARE LARGER THAN STANDARD NUTS, REQUIRING A 1" WRENCH). INSTALL TOE PLATES WITH 5/8" x 1 1/2" BOLT (PKS186 SINGLE OR PKS187 DOUBLE).
2. REPEAT STEP #1 FOR NEXT UPRIGHT AND BASE COMBINATION. AT THIS POINT, THE TWO UPRIGHTS SHOULD BE JOINED WITH HORIZONTAL BRACES. USE 5/8" x 5 1/2" BOLTS (PKS160) TO ATTACH A BRACE AT EACH PAIR OF HOLES ALONG THE CENTER LINE OF THE UPRIGHT. TWO BRACES ARE REQUIRED WITH EACH PAIR OF 8' OR 10' UPRIGHTS. THREE BRACES WITH 12' OR 14' UPRIGHTS. FOUR BRACES WITH 20' UPRIGHTS. LEAVE BOLTS "FINGER TIGHT" UNTIL STEP #5.
3. ATTACH X-STRAPS BETWEEN THE BOTTOM PAIR OF HORIZONTAL BRACES USING 3/8" x 1" BOLTS (PKS003) ON ALL UPRIGHTS AND BETWEEN THE THIRD AND FOURTH HORIZONTALS ON 16', 18', & 20' UPRIGHTS. LEAVE BOLTS "FINGER TIGHT" UNTIL STEP #5. (IF UPRIGHTS ARE SPACED AT 96" OR MORE, ATTACH AN ADDITIONAL PAIR OF HORIZONTAL BRACES).
4. REPEAT THE ABOVE PROCEDURE FOR ANY ADDITIONAL UPRIGHTS IN THE SYSTEM.
5. AFTER UPRIGHTS ARE ERECTED, THE SYSTEM MUST BE MADE SQUARE AND PLUMB. AS SYSTEM IS "SQUARED", TIGHTEN 3/4" BOLTS TO MINIMUM TORQUE OF 250 FT.-LB. NEXT, TIGHTEN BOLTS OF BRACES AND X-STRAPS. UPRIGHTS MUST BE VERTICAL WITHIN PLUS/MINUS 1/2 DEGREE TO ENSURE MAXIMUM CAPACITY.
6. PLACE EACH ARM AT DESIRED HEIGHT ON UPRIGHT AND ATTACH BY INSERTING 7/8" ARM PINS (PKS004) THROUGH THE HOLES PROVIDED. INSERT A CLEVIS PIN THROUGH EACH ARM PIN.
7. IF SYSTEM COMES WITH OPTIONAL LIPS, ATTACH EACH OF THEM WITH THEIR RESPECTIVE BOLTS INDICATED IN THE DRAWING (ARM-PKS008).
8. PLACE A COLUMN CAPACITY STICKER ON 1 BRACE FOR EVERY SET OF UPRIGHTS.

IMPORTANT NOTE:
UPRIGHTS 16' AND ABOVE MUST BE ANCHORED SECURELY TO THE FLOOR AT THE BASE
(ANCHOR BOLTS ARE NOT PROVIDED)



FOR INTERMEDIATE ONLY
(INTERMEDIATE DOES NOT HAVE X-BRACING)

CROSS BRACING LAYOUT
(BRACES MAY BE ALTERNATED IN CONTINUOUS RUN)



WEST POINT RACK, INC.

13591 Chandler St. • Omaha, NE 68138 • Ph: 866.245.3630

"We don't just promise...we deliver!"